



plantpro
performance reliability optimisation

PlantPRO Master Controller

PP - MSTR

PlantPRO Master Controller (PP-MSTR) Dedicated hardware platform, compact, fanless and robust, pre-loaded with Niagara AX Framework and the requisite PlantPRO software modules and licenses to support up to 5 units (license can be upgraded to support 10 units).

Software Specifications

PP-MSTR comes pre-loaded with Niagara AX Framework and provides all of the capabilities of a programmable controller, multi-protocol adapter, network manager, web server (with optional Web User Interface), data logger and alarm system in a single software solution. Streamlined reporting and alerts with built-in Email SMTP Server.

PP-MSTR communicates with external devices utilising Ethernet-based protocols, and currently supports the industry's most common standard protocols: BACnet® IP, Modbus® TCP, LON over IP, oBIX and other standard IP protocols. The Modbus® TCP and oBIX driver are included with the standard offering, other drivers are sold separately.

Software Add-on Features

APP-PP-5U	PlantPRO license to add 5 more units for M&V and reporting to existing license
APP-PP-COM	PlantPRO Unit Optimisation Module
APP-PP-CSS	PlantPRO Unit Staging & Sequencing
APP-PP-CTC	PlantPRO Cooling Tower Control
APP-PP-VPF	PlantPRO Variable Primary Flow Control
APP-PP-PSF	PlantPRO Primary/Secondary Flow
APP-PP-CHWBP	PlantPRO Chilled Water Bypass Control
APP-PP-CWBP	PlantPRO Condenser Water Bypass Control
APP-PP-SCHEMATICS	PlantPRO Active Plant Schematic Design Interface



• Back of unit



• Front of unit

Hardware Specifications

Features:

- Embedded x86 D51 Dual Core Intel ATOM processor
- Fanless
- 10V-28V DC Wide Range input power
- 12V DC 3A Output
- Removable mounting brackets
- Dual 1Gb Ethernet
- 4x USB
- 1x Serial Port

System

GPU	Embedded x84 D51 Dual Core ATOM Processor
Memory	2GB DDR3 Soldered Onboard
Chipset	Intel ICH8M
Graphics	Integrated Intel Graphics Media Accelerator 3150
ATA	2x SATA ports at 3000MB/s HDD transfer rate
LAN Chipset	2x Realtek RTL8111 PCIe Gigabit Ethernet Controllers
Watchdog Timer	1-255 level reset

IO

Serial Port	1x RS-232 Exposed 3 x RS-232, 1x RS-232/422/485 selectable internal
USB Port	4x USB 2.0 ports external, 4x USB 2.0 internal

LAN

Video Port	Analog RGB Supports upto 2048 x 1536 @ 60Hz
Expansion Bus	1x Mini-card slot interconnected with SIM card socket for optional WiFi, or HSUPA module

Environmental

Operating Temp	-20 - 55°C w/airflow
Storage Temp	-40 - 58.5°C
Operating Humidity	10 - 95% @ 55°C (Non-condensing)
Vibration	3Grms/5 - 500Hz/random operation
Shock	Operating 40G (11ms), non-operating 60g with SSD

Power Requirement

Power Input	DC 10V - 28V through 4-pin Mini-fit JR connector
Power Consumption	80W

Storage

Type	60gb HDD/SSD
-------------	--------------

Mechanical

Construction	Aluminium heatsink, steel chassis
Mounting	Removable mounting brackets
Weight	1.5kg
Dimensions (WxDxH)	179.2mm x 159.5mm x 67.7mm

OS Support

Windows XP Embedded

Agency Listings

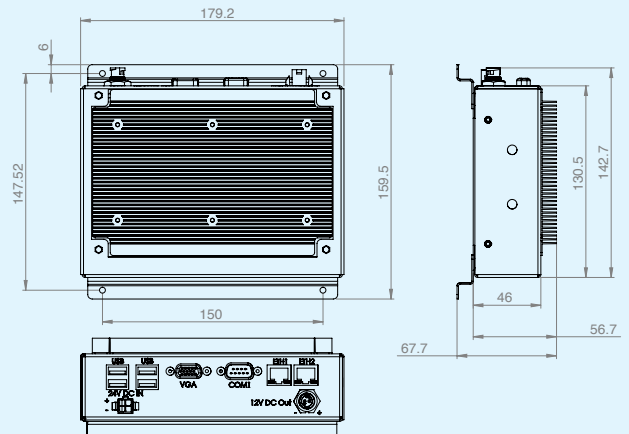
- BTL
- CE
- C-Tick
- FCC part 15 Class B
- Canadian ICES-003 Part B

Optional Hardware

- PS24-100W Power Supply
- PP-TCH-MNTR17 17" Industrial Touch Screen Monitor



• 17" Industrial Touch Screen Monitor



Conserve it PTY LTD
ACN 122 132 512

Level 2, 395 Collins St,
Melbourne, Vic, 3000, Australia
ph: +61 3 9629 9977
email: info@conserveit.com.au

